

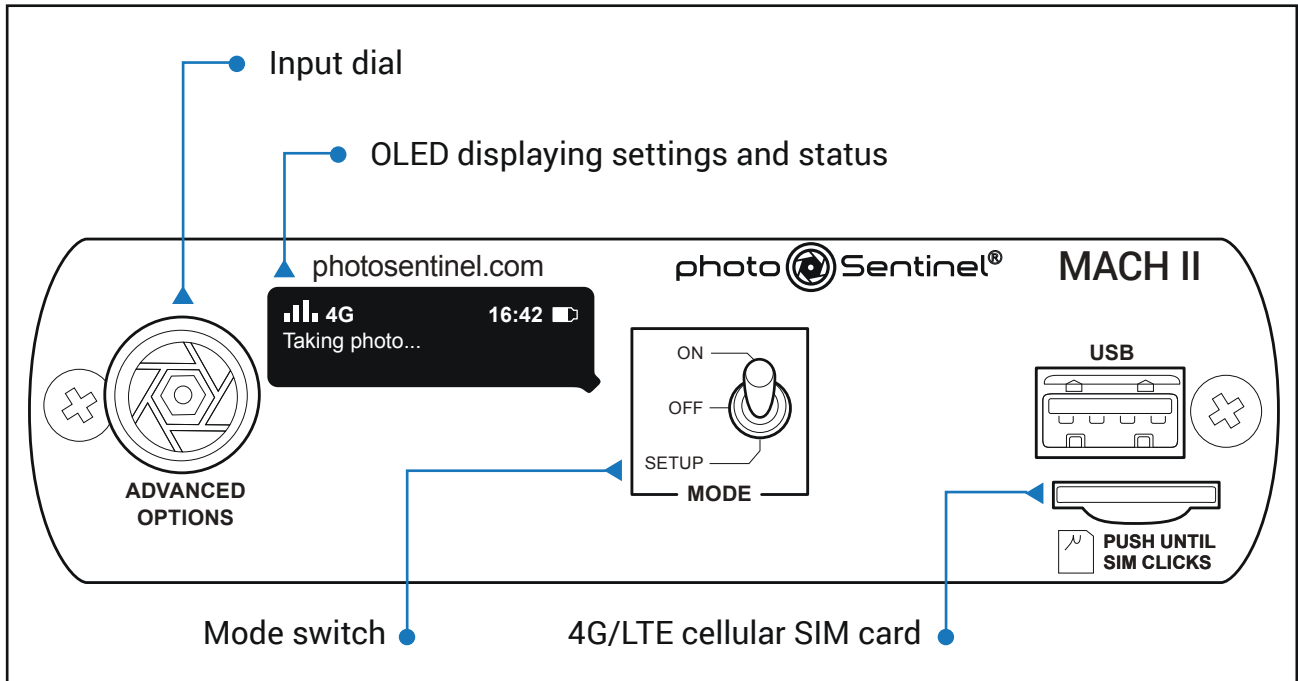
MACH II

Technical Specifications

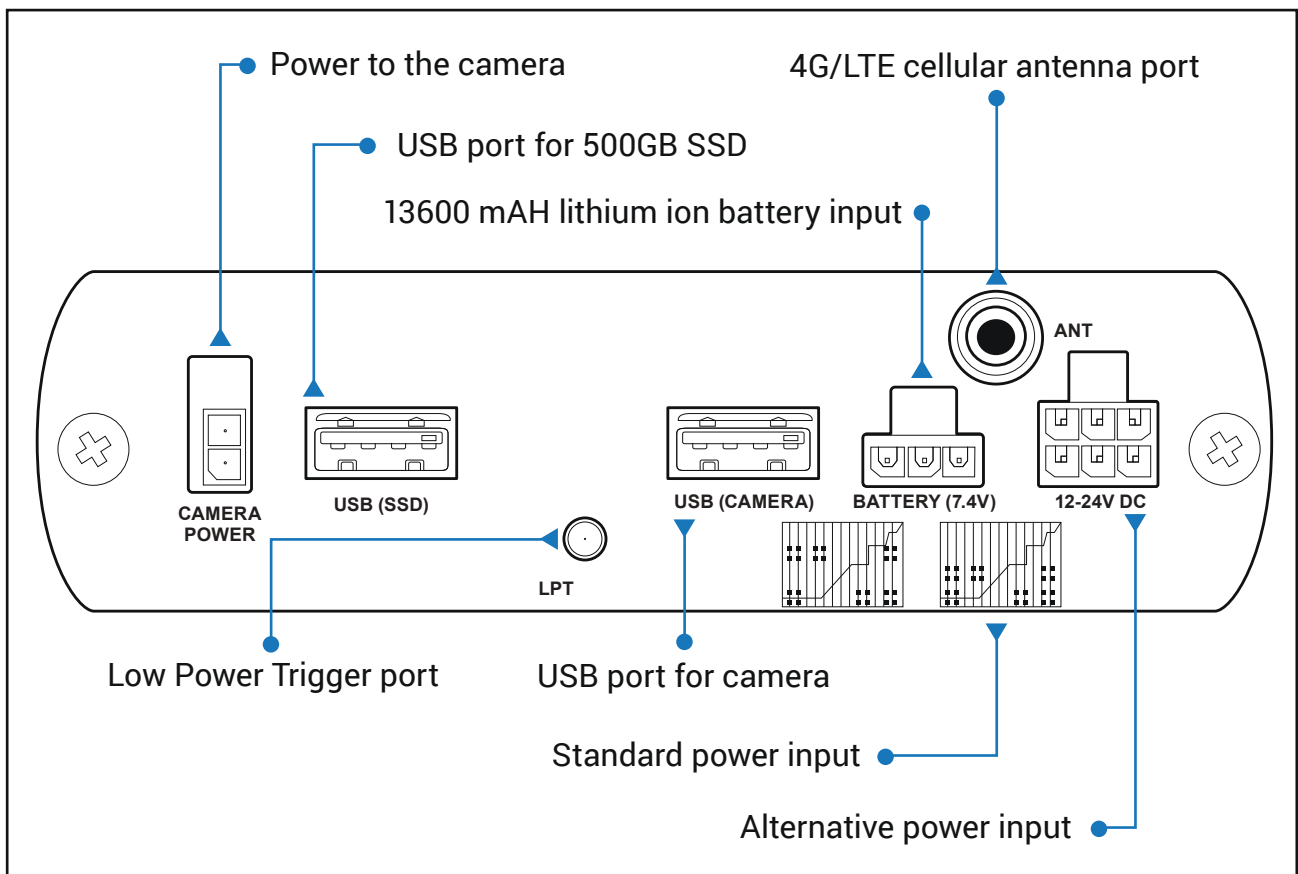


MACH II CONTROLLER

FRONT FACEPLATE



BACK FACEPLATE



ELECTROMAGNETIC REGULATORY COMPLIANCE

C-Tick Conformity
FFC Conformity
CE Marking Conformity



SUPPORTED CAMERAS

CANON

1300D (Rebel T6)
1500D (2000D/Rebel T7)
200D (Rebel SL2)
200D MK II (250D/Rebel SL3)
5D Mark IV

NIKON

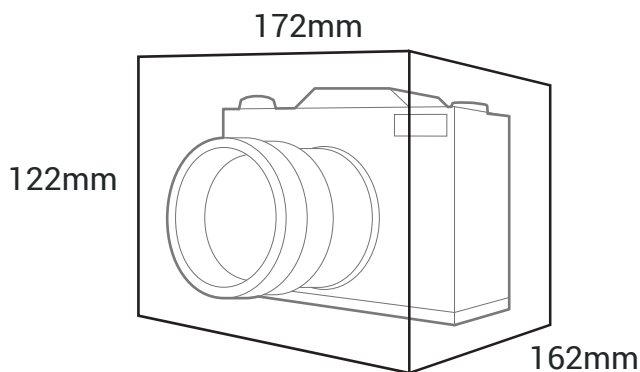
D3400 * * Incompatible with Low Power Mode.
D3500 * See photosentinel.com/lpm for details.
D5600
D7200

Other cameras may be technically compatible, but may have technical or feature limitations. Contact us to discuss any non-supported camera requirements.

The most common setup is to use a Canon or Nikon crop sensor DSLR with a Sigma or Tokina wide angle lens.

INTERNAL SPACE

Maximum available space for camera and lens inside standard photoSentinel housing:



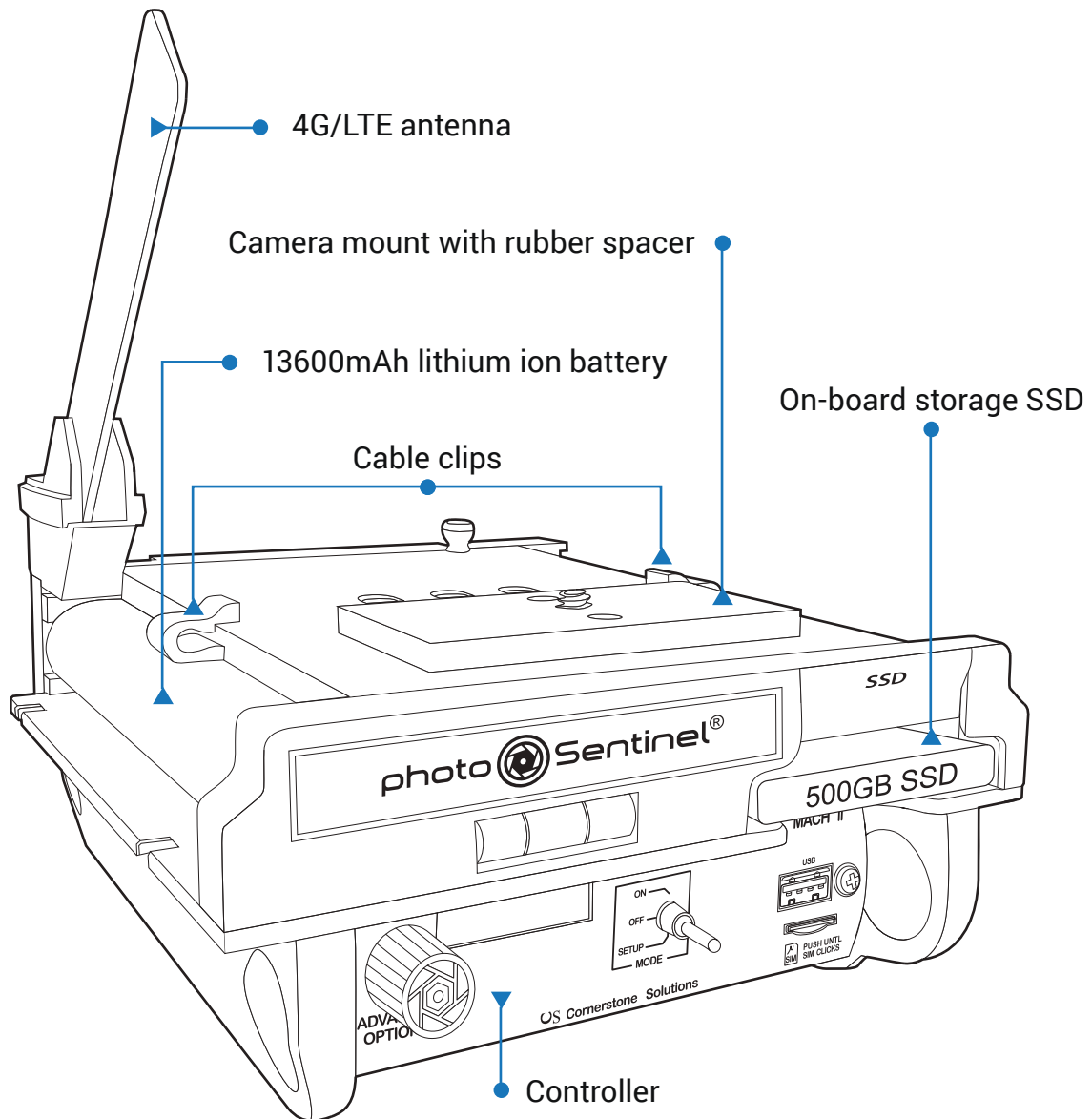
Larger camera and lens combinations can be accommodated by our larger Beast housing. Enquire for more details.

SHOOTING LIMITS

- Battery life: Greater than seven days on normal regime (15 minute intervals, 9 hours/day).*
- Shoot and upload each photo: Up to two minute intervals.*
- Shoot without uploading: Up to five second intervals.

* Under controlled conditions. Factors such as cellular coverage and image size will affect shooting limits.

INTERNAL CARRIAGE



ON-BOARD STORAGE

500GB SSD

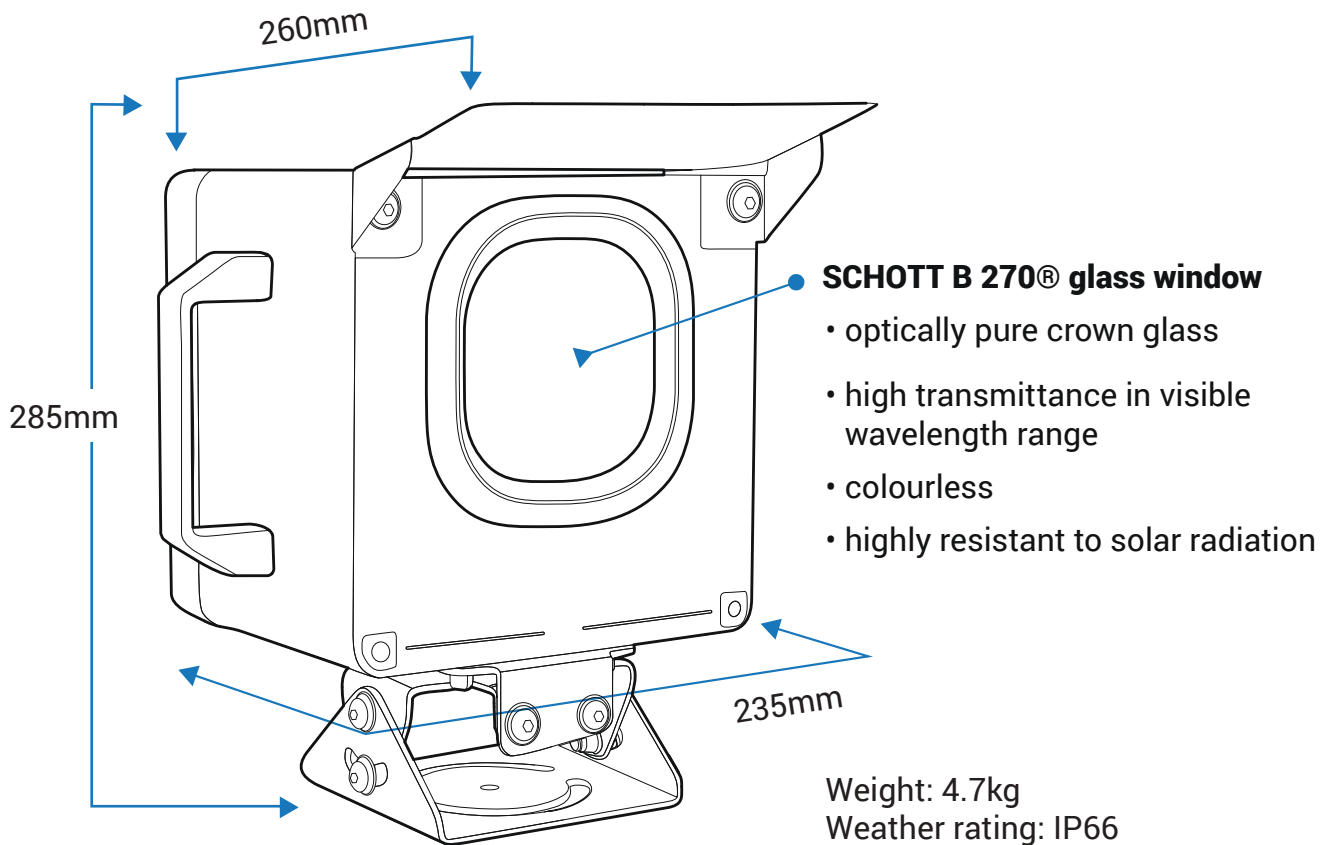
- 500GB swappable SSD: powered by Samsung SSD EVO

64GB SSD

- 64GB capacity industrial-grade SSD.
- Reliability MTBF @ 25°C: >2,000,000 hours

HOUSING

Compression moulded glass-reinforced polyester, with silicon seal and security bolts.



* Dimensions include handle, visor and 3-axis mount.

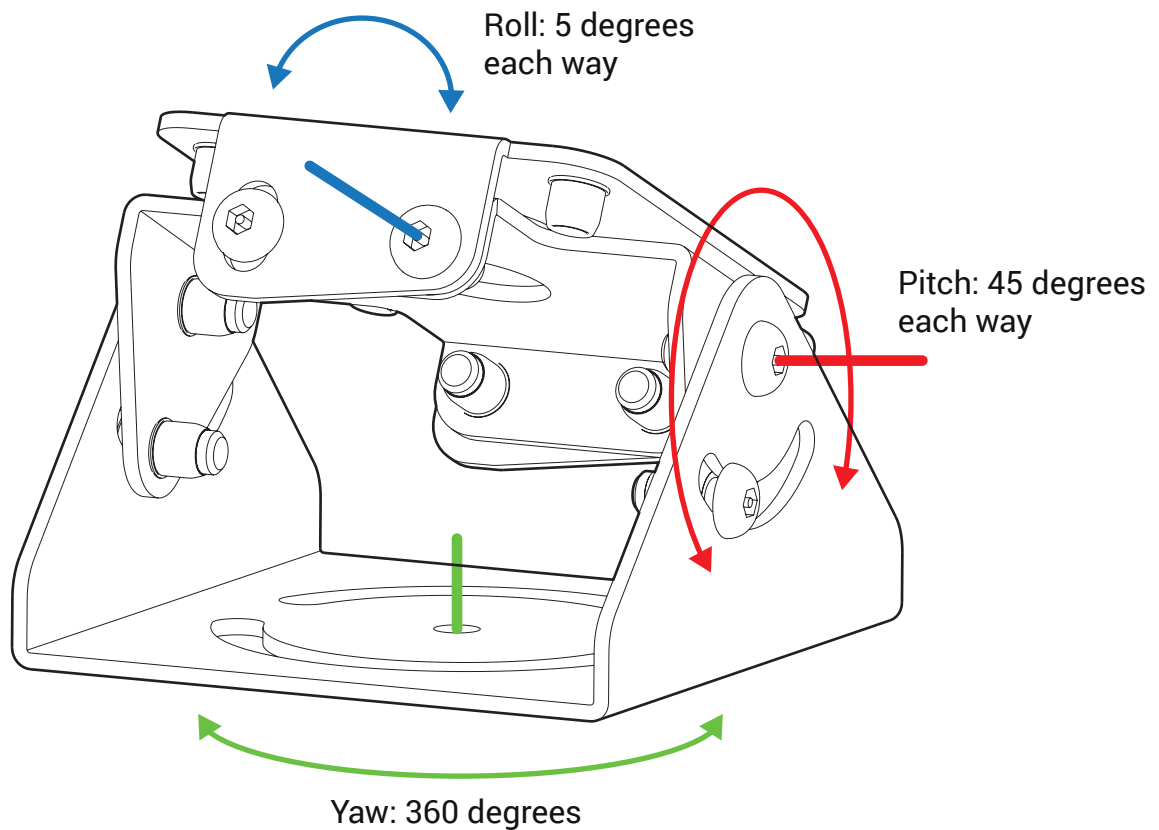
ENVIRONMENTAL RATINGS

- Ingress Protection Marking: IP66 (Dust tight, no water ingress under powerful water jet).
- Electronics control tested from -15°C (5°F) and up to 60°C (140°F).

MOUNTS

3-AXIS MOUNT

Powder-coated stainless steel.

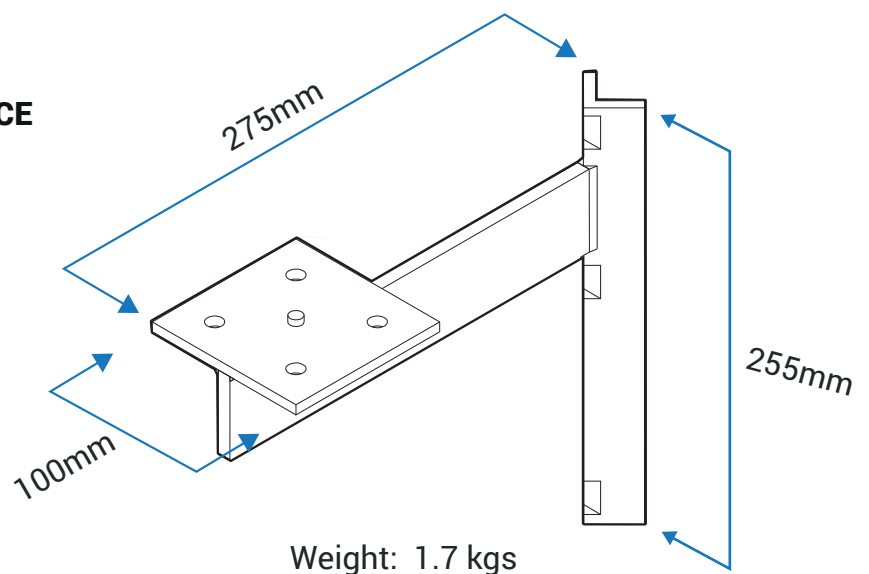


POLE MOUNT

Powder-coated steel.

STRENGTH & WIND COMPLIANCE

- AS4100-1998 Steel structures
- AS4673-2001 Cold formed stainless-steel structures
- AS1170.2-2002 Structural design actions: Wind actions



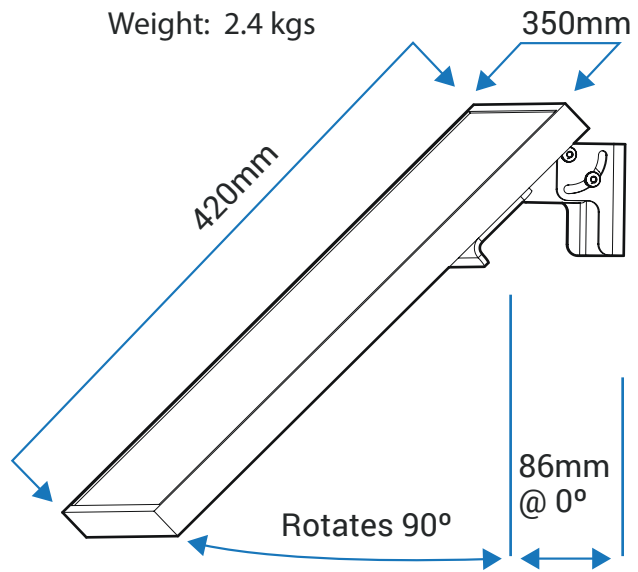
POWER

20W SOLAR PANEL

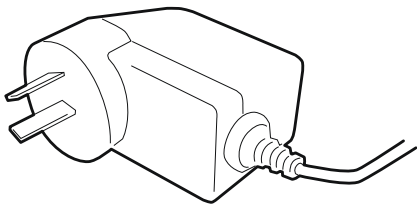
Aluminium panel with powder-coated aluminium brackets.

STRENGTH & WIND COMPLIANCE

- AS4100-1998 Steel structures
- AS1170.2-2002 Structural design actions: Wind actions



AC CHARGER OPTIONS



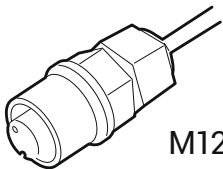
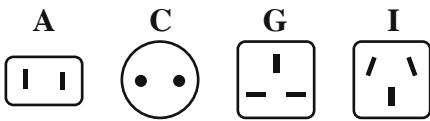
Indoor AC Charger

AC input voltage range: 90-264VAC

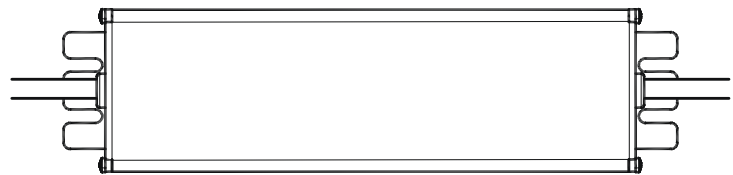
Output voltage: 15VDC

Output power: 15W

Plug types available:



M12 5 pin connector



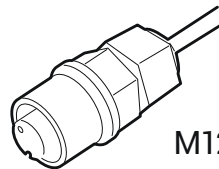
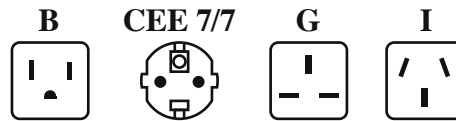
IP-55 Rated Weatherproof AC Charger

AC input voltage range: 100-277VAC

Output voltage: 19VDC

Output power: 23W

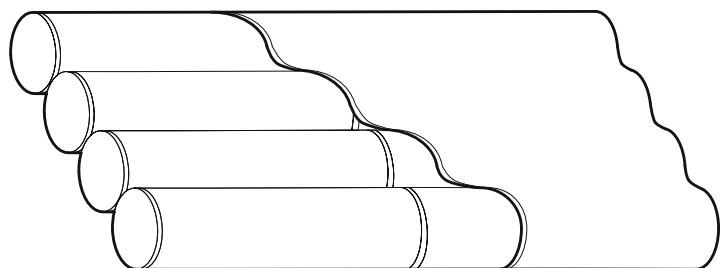
Plug types available:



M12 5 pin connector

LITHIUM ION BATTERY

- 13600mAh / 7.2V
- 98 watt hours
- 8 x genuine Panasonic NCR18650B lithium ion cells



SHIPPING

MACH II

300mm x 300mm x300mm

Weight: 8.2kg*

* without camera and lens

20W SOLAR PANEL

490mm x 400mm x 120mm

Weight: 3.2kg

