



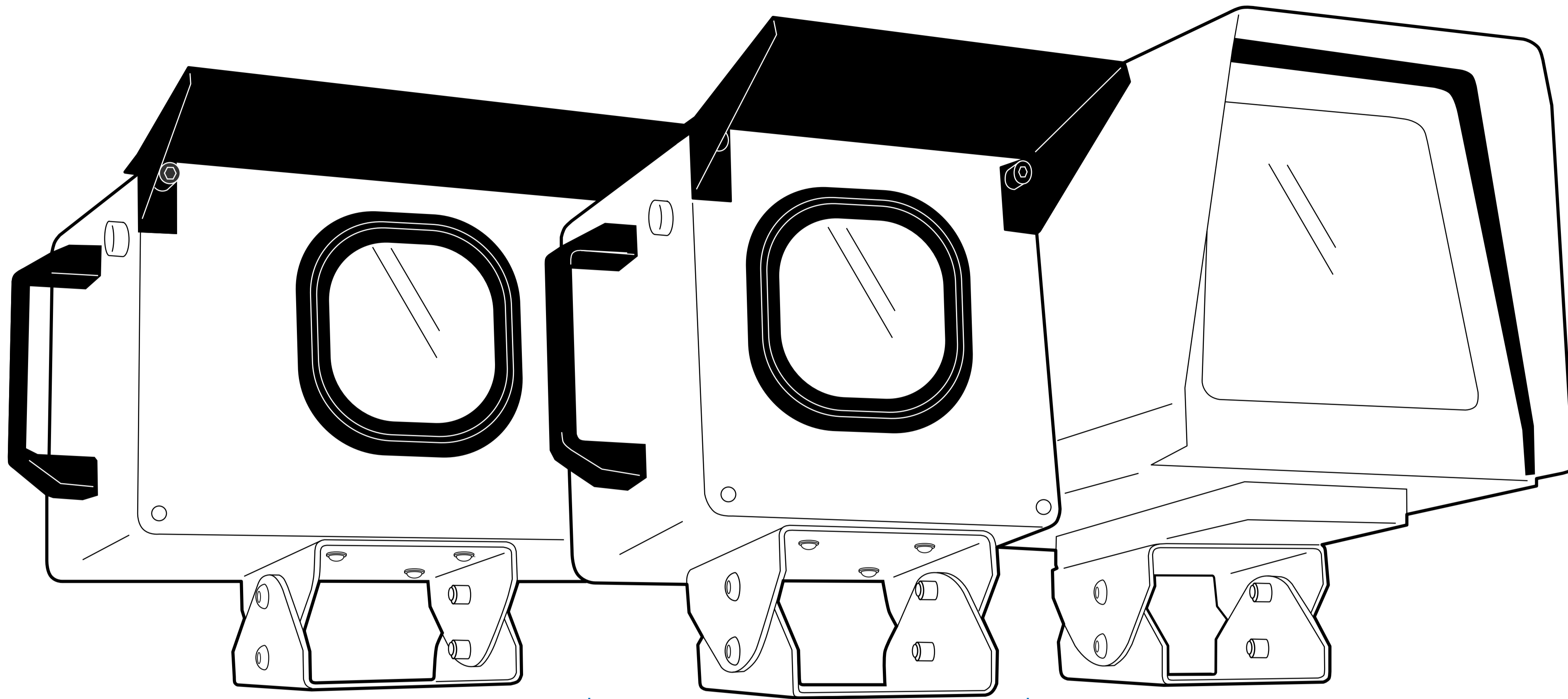
Technical Specifications

photoSentinel Housings

Wide Body

Standard

The Beast



Outer Dimensions*:

Width: 340mm
Height: 270mm
Depth: 170mm

Internal dimensions:

Height: 190mm
Width: 290mm
Depth: 165mm

Weight: 4.7 kgs
Rating: IP65

Outer Dimensions*:

Width: 240mm
Height: 270mm
Depth: 170mm

Internal dimensions:

Height: 190mm
Width: 190mm
Depth: 165mm

Weight: 4.1 kgs
Rating: IP65

Outer Dimensions*:

Width: 220mm
Height: 340mm
Depth: 300mm

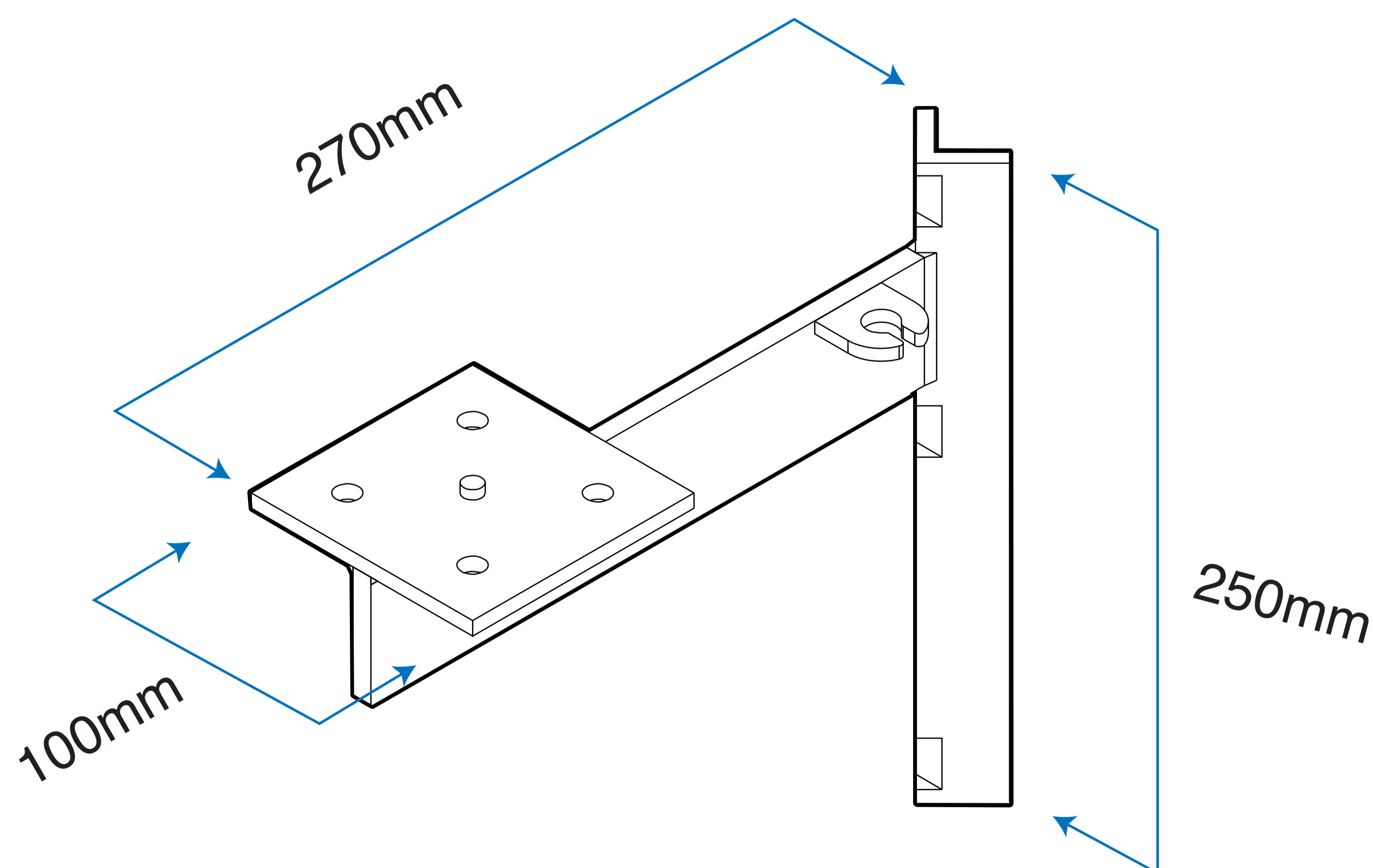
Internal dimensions:

Height: 230mm
Width: 218 at floor to 150mm
Depth: 295mm

Weight: 7.4 kgs
Rating: Not IP65

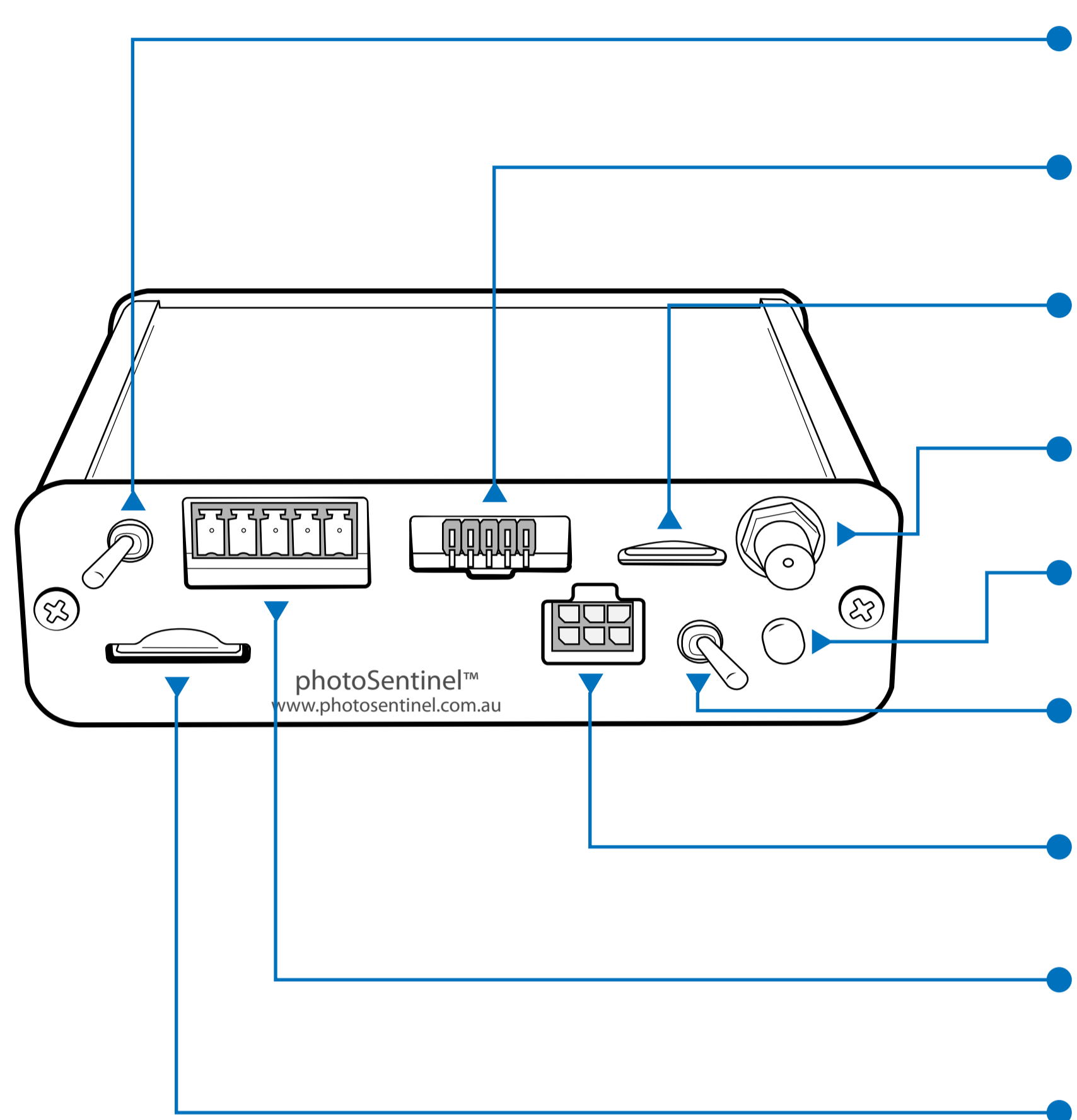
Internal antenna 2dBi as standard. Other antenna options available on request.
*Outer dimensions include handle, visor and pan and tilt bracket.

Pole Mount



Weight: 2 kgs

photoSentinel Controller



- Operation mode switch (Normal or Camera bypass)
- SD cable connection
- Micro SD ≤ 32 GB / Micro SD HC ≤ 32 Gb / Micro SD XC ≤ 128 GB (Fat 32 format)
- Antenna connector (SMA)
- LED indicator
- On/Off switch
- Power connector
- Camera cable terminal
- Standard 3G SIM Card (Not micro SIM)

Modem Operation:

Tri-band UMTS/HSDPA 2100/1900/850

Quad-Band GSM 850/900/1800/1900

Camera Options



Camera requirements:

Standard camera voltage = 7.8V*

*Other camera voltages are available on request,
must be advised before dispatch

Recomended cameras:

Nikon D90 / D3100 / D3200 / D5100

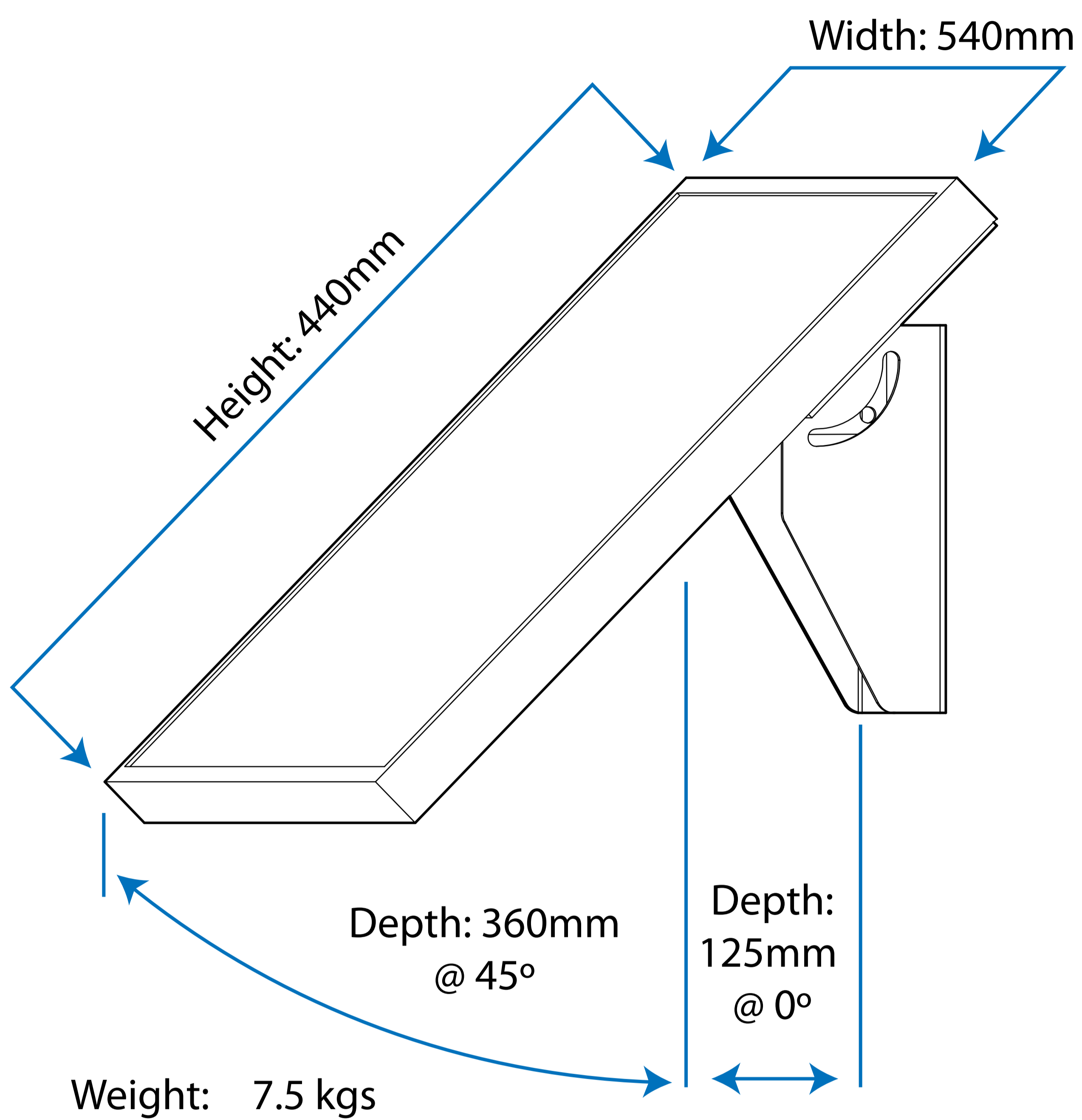
Canon EOS 550D / 600D / 1100D / 5D MkII / 5D MkIII

Cameras not recomended:

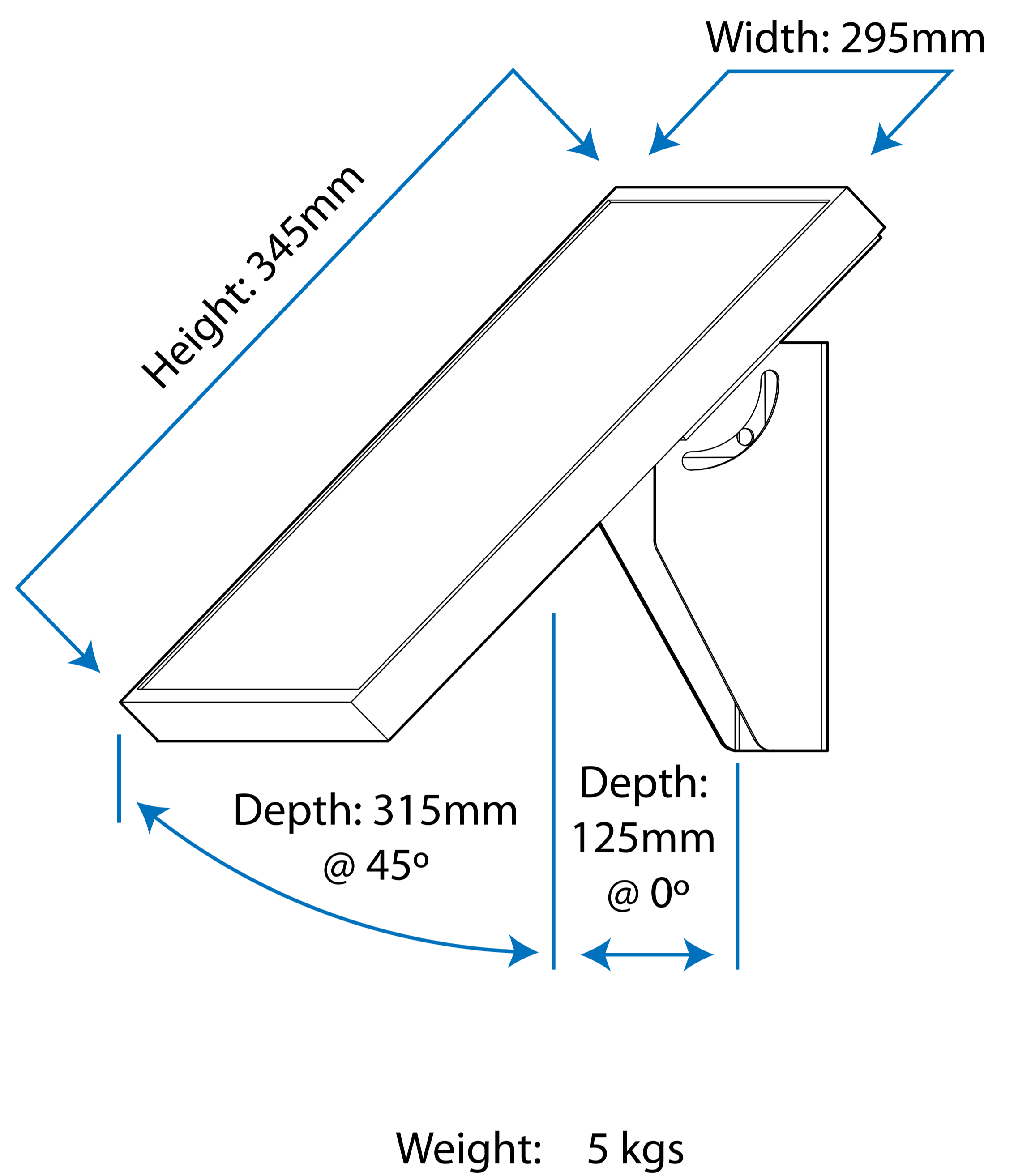
Canon 1000D

Power Options

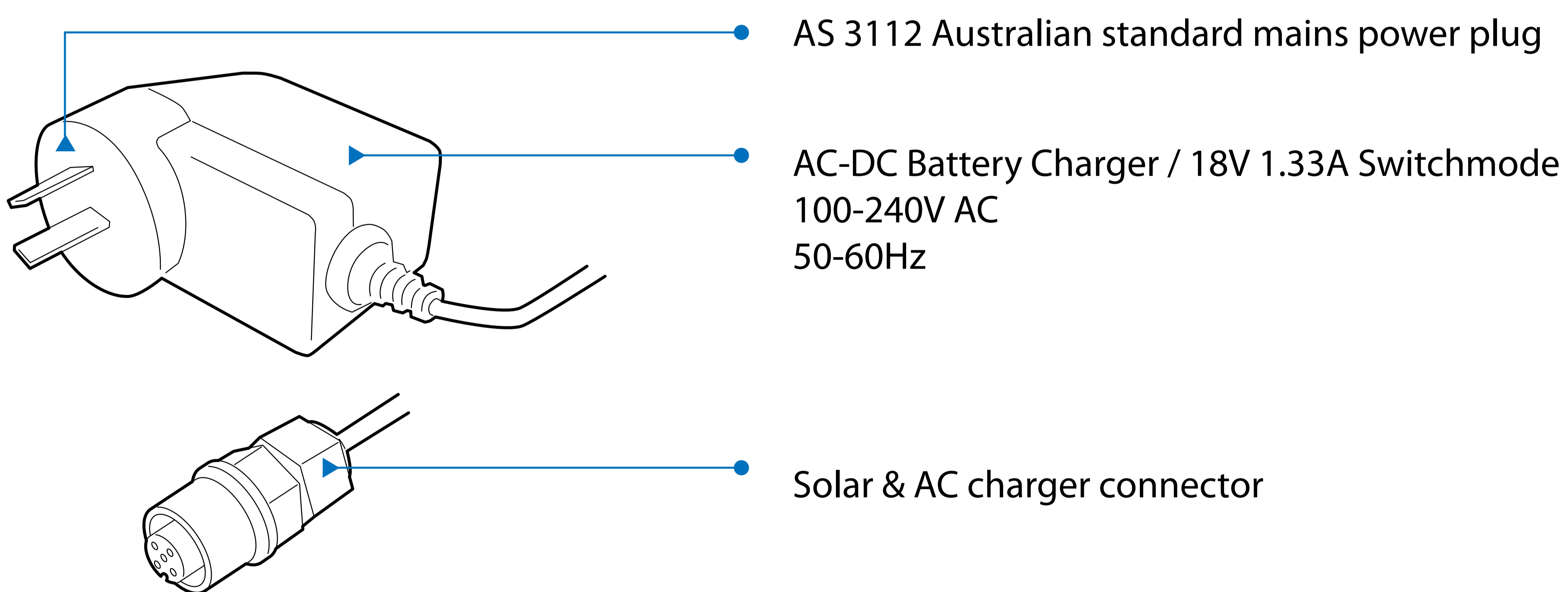
20W Solar Panel



10W Solar Panel



AC Charger



Battery options

